



Total Solution Provider in Saw Device

SA1575TQ1

GPS, Balanced RF SAW Filter
Revision 0: July 2009



- Electrical Characteristics
 - Package Dimensions
 - Testing Environment
 - Frequency Characteristics
-

SAWNICS Inc.

460 Cheonheung-ri, Seonggeo-eup, Cheonan-si, Chungcheongnam-do, 330-836 / Korea.
Tel: +82 41 550 9372 / Fax: +82 41 550 9399 / www.sawnics.com

□ Electrical Characteristics

Maximum Ratings

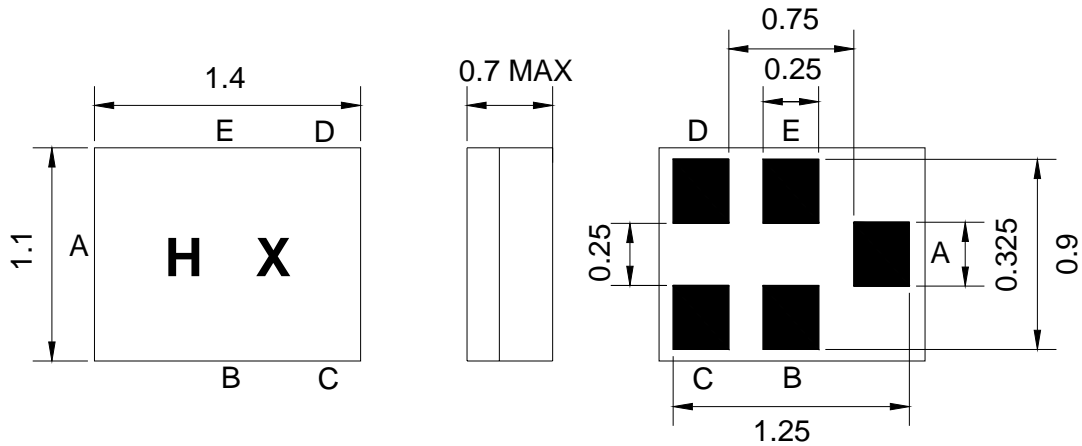
Parameters Description	Unit	Minimum	Typical	Maximum
Operating Temperature Range	°C	-40	-	+85
Storage Temperature Range	°C	-55	-	+95
Maximum DC Voltage	V	-	-	3
Maximum Input Power	dBm	-	-	10
Source Impedance (single ended) ⁽¹⁾	Ω	-	50	-
Load Impedance (balanced ended) ⁽¹⁾	Ω	-	100	-
Package type & size	Q1			
Length x Width	mm ²	-	1.4 x 1.1	-
Height	mm	-	-	0.7

Electrical Specification

Parameters Description	Unit	Minimum	Typical	Maximum
Center Frequency (Fo)	MHz	-	1575.42	-
Insertion Loss within 1574.42~1576.42 MHz	dB	-	1.7	2.3
Amplitude Ripple within 1574.42~1576.42 MHz	dB _{p-p}	-	0.3	1.0
Attenuation:				
100.0 ~ 960.0 MHz	dB	40	46	-
960.0 ~ 1425.0 MHz	dB	35	46	-
1425.0 ~ 1475.0 MHz	dB	30	51	-
1475.0 ~ 1515.0 MHz	dB	20	30	-
1515.0 ~ 1525.0 MHz	dB	17	30	-
1625.0 ~ 1635.0 MHz	dB	12	22.5	-
1635.0 ~ 1675.0 MHz	dB	20	25	-
1675.0 ~ 1750.0 MHz	dB	30	35	-
1750.0 ~ 1805.0 MHz	dB	35	42	-
1805.0 ~ 1980.0 MHz	dB	40	47	-
1980.0 ~ 2400.0 MHz	dB	35	40	-
2400.0 ~ 3155.0 MHz	dB	40	52	-
3155.0 ~ 6000.0 MHz	dB	35	52	-
VSWR within 1574.42~1576.42 MHz	-	-	1.3	1.8

Notes : (1) No Matching Network (Ref. Testing Environment Circuit as shown below).

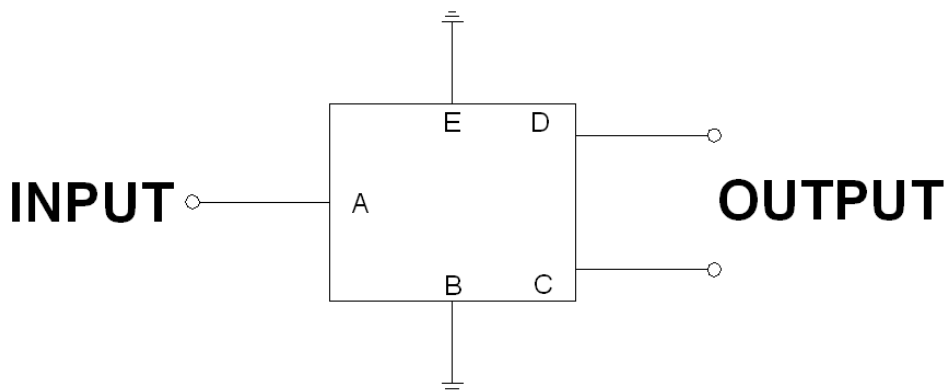
Package Dimensions



Marking Descriptions	
H	Series Number
X	Date Code(Year+Month)

Pin Description	
B, E	Ground
A	In
C, D	Out

Testing Environment

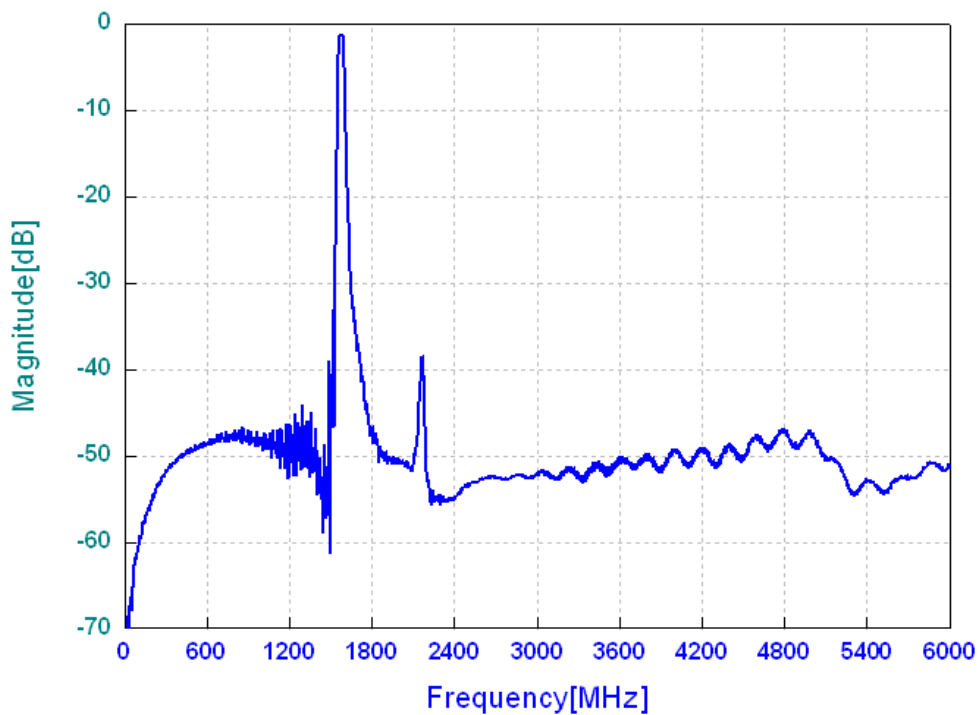
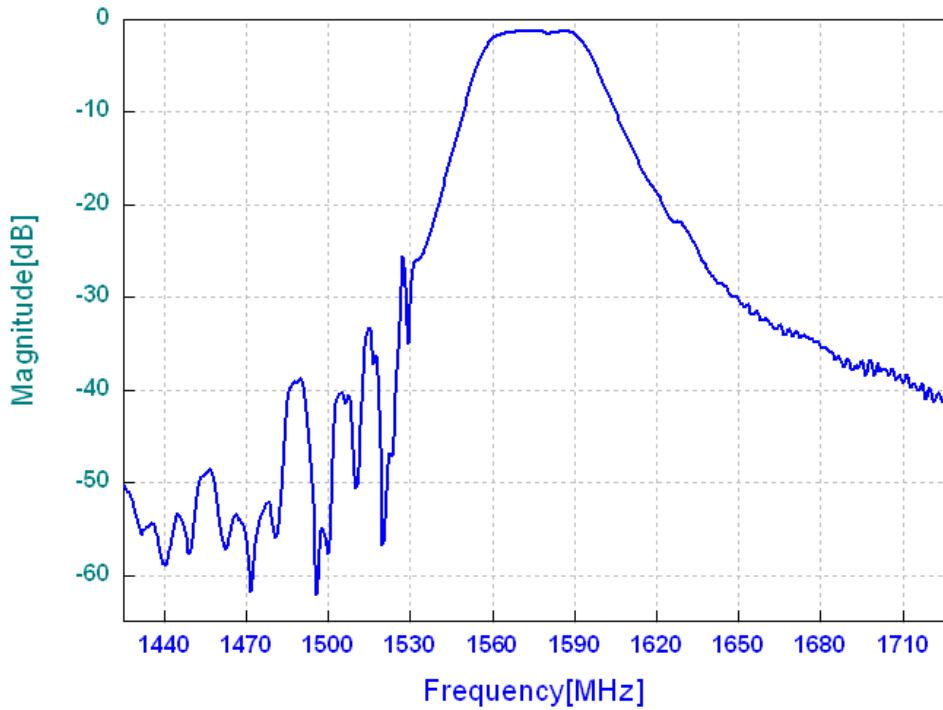


Source Impedance : 50 Ω

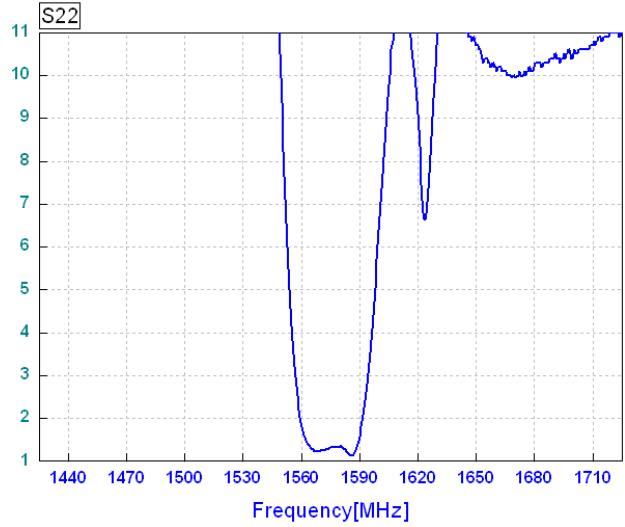
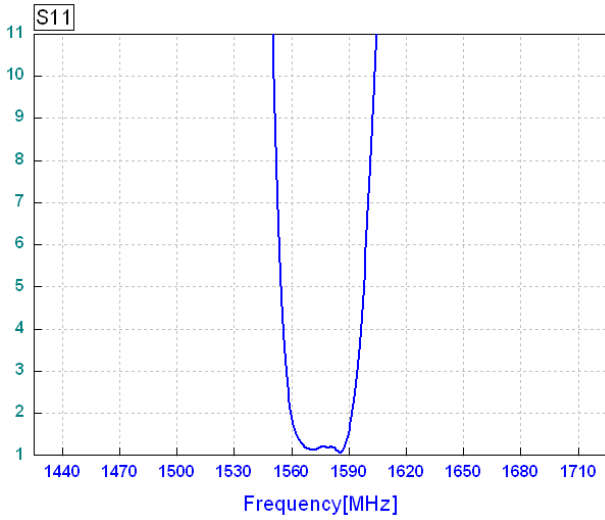
Load Impedance: 100 Ω

□ Frequency Characteristics

Frequency Response



VSWR



Smith Chart

