



Total Solution Provider in Saw Device

SA1588CQ1

GPS+Glonass, RF SAW Filter
Revision 0: March 2012



- Electrical Characteristics
 - Package Dimensions
 - Testing Environment
 - Frequency Characteristics
-

SAWNICS Inc.

460 Cheonheung-ri, Seonggeo-eup, Cheonan-si, Chungcheongnam-do, 330-836 / Korea.
Tel: +82 41 550 9372 / Fax: +82 41 550 9399 / www.sawnics.com



□ Electrical Characteristics

Maximum Ratings

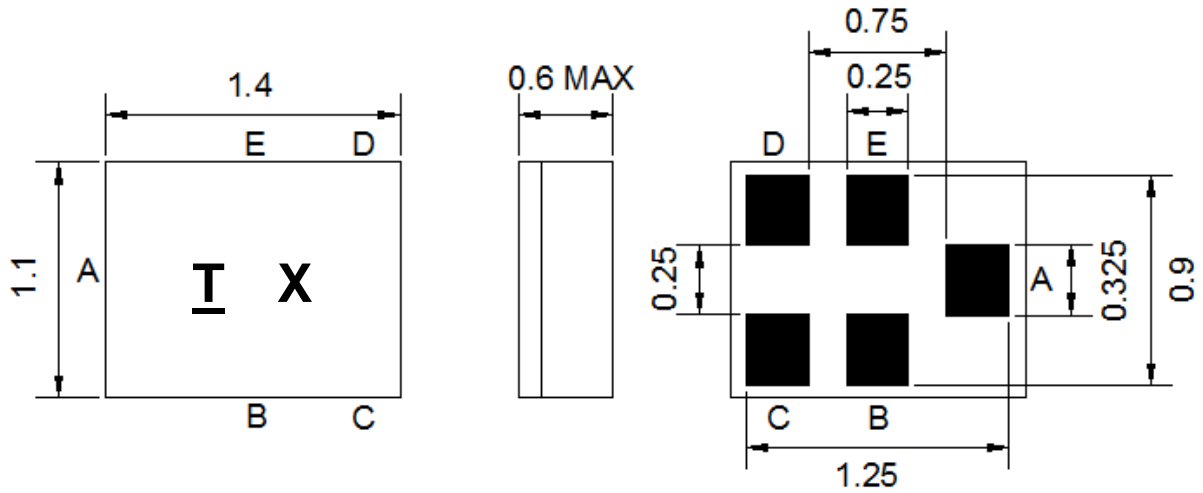
Parameters Description	Unit	Minimum	Typical	Maximum
Operating Temperature Range	°C	-30	-	+85
Storage Temperature Range	°C	-40	-	+85
Maximum DC Voltage	V	-	-	0
Maximum Input Power	dBm	-	-	10
Source Impedance (single ended) ⁽¹⁾	Ω	-	50	-
Load Impedance (single ended) ⁽¹⁾	Ω	-	50	-
Package type & size	Q1			
Length x Width	mm ²	-	1.4 x 1.1	-
Height	mm	-	-	0.6

Electrical Specification

Parameters Description	Unit	Minimum	Typical	Maximum
Center Frequency (Fo)	MHz	-	1588.655	-
Max.Insertion Loss within 1571.42 ~ 1605.89 MHz	dB	-	1.9	2.5
Amplitude Ripple within 1571.42 ~ 1605.89 MHz	dB _{p-p}	-	1.0	1.5
Attenuation:				
D.C ~ 824.0 MHz	dB	32	35	-
824.0 ~ 849.0 MHz	dB	32	36	-
849.0 ~ 880.0 MHz	dB	32	36	-
880.0 ~ 915.0 MHz	dB	32	36	-
915.0 ~ 1452.0 MHz	dB	30	35	-
1452.0 ~ 1525.0 MHz	dB	25	30	-
1710.0 ~ 1785.0 MHz	dB	32	38	-
1785.0 ~ 1850.0 MHz	dB	32	37	-
1850.0 ~ 6000.0 MHz	dB	12	17	-
VSWR within 1571.42 ~ 1605.89 MHz	-	-	1.5	2.0

Notes : (1) No Matching Network (Ref. Testing Environment Circuit as shown below).

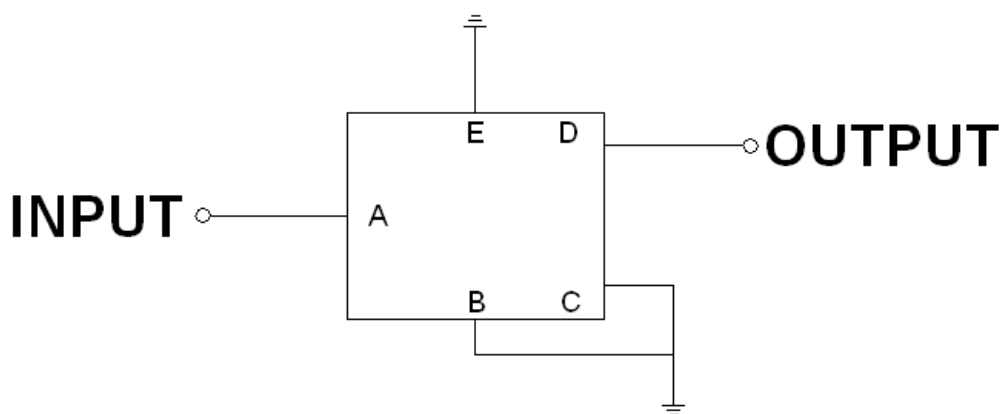
Package Dimensions



Marking Descriptions	
I	Series Number
X	Date Code(Year+Month)

Pin Description	
B, C, E	Ground
A	Input
D	Output

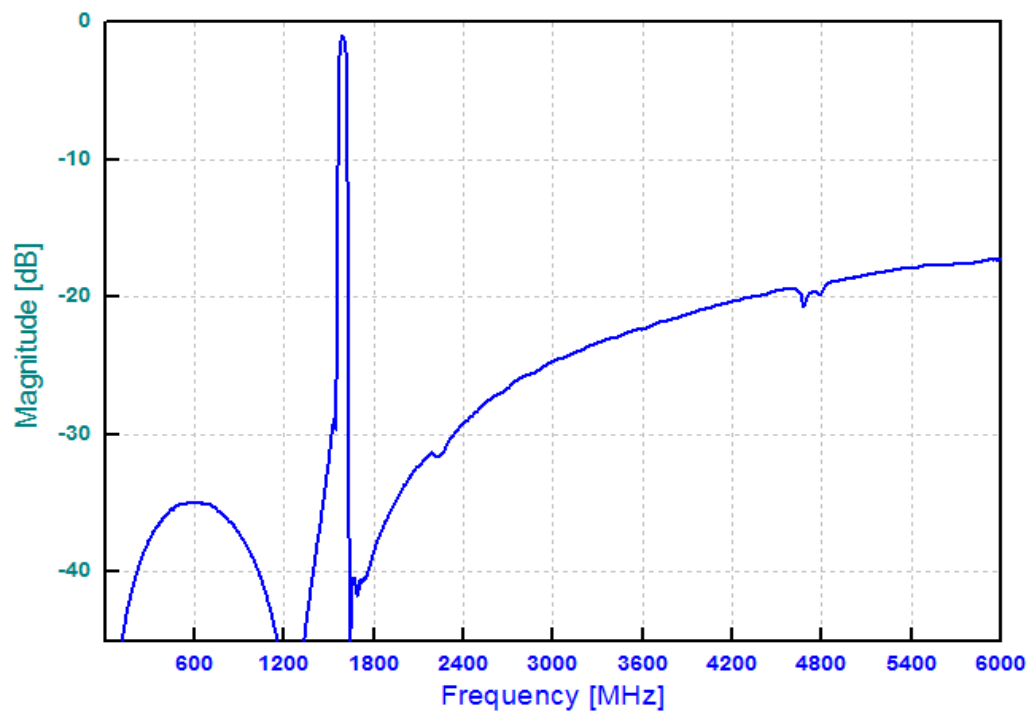
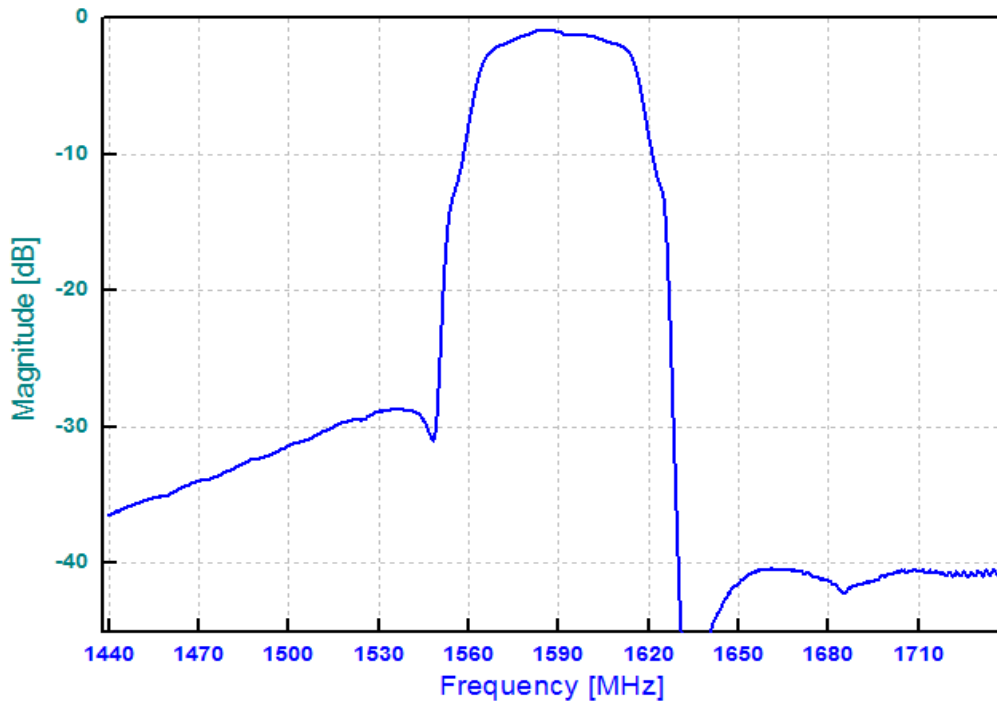
Testing Environment



Source & Load Impedance: 50 Ω

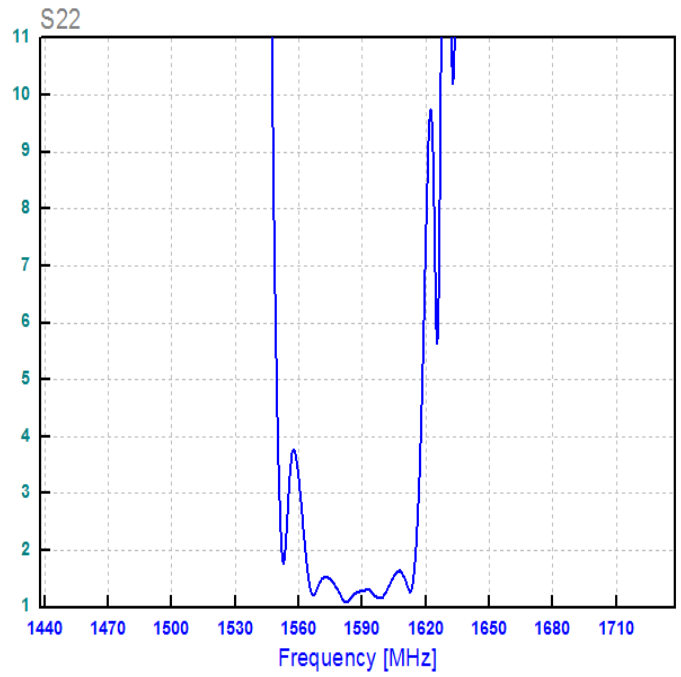
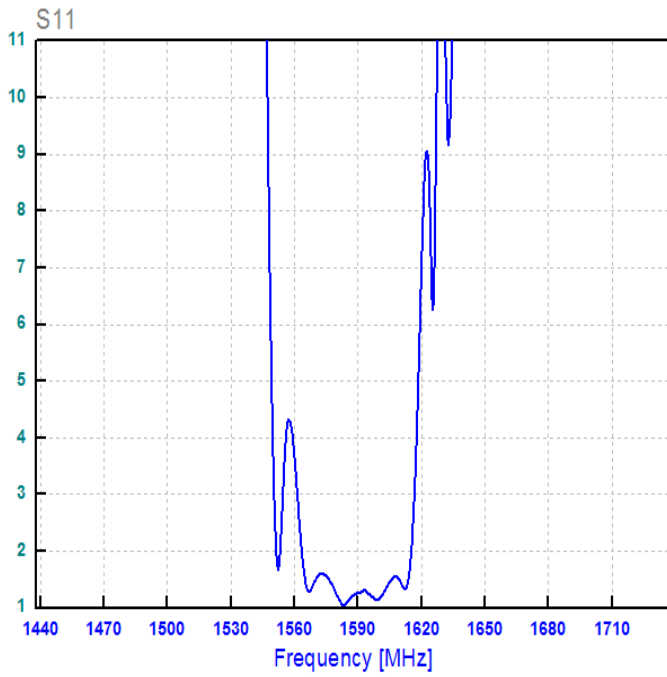
□ Frequency Characteristics

Frequency Response





VSWR



Smith Chart

