



Total Solution Provider in Saw Device

SF-158201-C24

GPS+GLONASS+COMPASS, RF SAW Filter
Revision 1: August 2014

MSD/MSL 3



- Electrical Characteristics
 - Package Dimensions
 - Testing Environment
 - Frequency Characteristics
-

SAWNICS Inc.

460 Cheonheung-ri, Seonggeo-eup, Cheonan-si, Chungcheongnam-do, 330-836 / Korea.
Tel: +82 41 550 9372 / Fax: +82 41 550 9399 / www.sawnics.com



□ Electrical Characteristics

Maximum Ratings

Parameters Description	Unit	Minimum	Typical	Maximum
Operating Temperature Range	°C	-30	-	+85
Storage Temperature Range	°C	-40	-	+85
Maximum DC Voltage	V	-	-	0
Maximum Input Power	dBm	-	-	13
Source Impedance (single ended)	Ω	-	50	-
Load Impedance (single ended)	Ω	-	50	-
Package type & size	C24			
Length x Width	mm ²	-	1.4 x 1.1	-
Height	mm	-	-	0.65

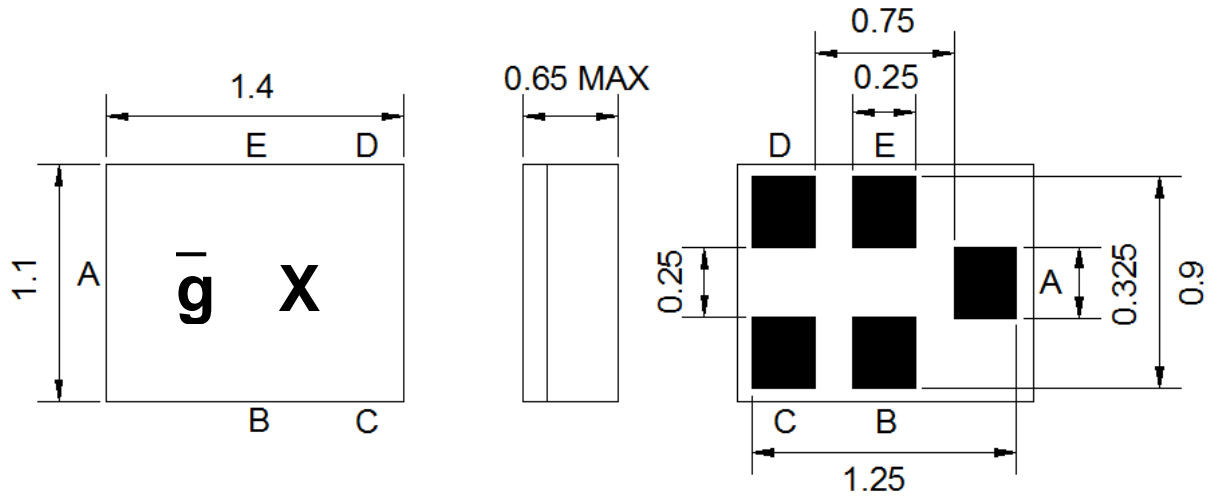


Electrical Specification

Parameters Description	Unit	Minimum	Typical	Maximum
Center Frequency (Fo)	MHz	-	1582.4	-
Insertion Loss				
1574.42 ~ 1576.42 MHz	dB	-	1.1	1.5
1559.05 ~ 1563.15 MHz	dB	-	1.8	3.5
1573.37 ~ 1577.47 MHz	dB	-	1.0	1.5
1597.78 ~ 1605.66 MHz	dB	-	2.1	3.5
Group delay ripple within 1597.78 ~ 1605.66 MHz	ns _{p-p}	-	8	15
Attenuation:				
D.C. ~ 824.0 MHz	dB	35	39	-
824.0 ~ 925.0 MHz	dB	35	39	-
1427.0 ~ 1453.0 MHz	dB	35	42	-
1710.0 ~ 1785.0 MHz	dB	35	43	-
1850.0 ~ 1910.0 MHz	dB	35	43	-
1920.0 ~ 1980.0 MHz	dB	35	43	-
2400.0 ~ 2500.0 MHz	dB	40	48	-
2500.0 ~ 2570.0 MHz	dB	40	51	-
2600.0 ~ 3000.0 MHz	dB	40	49	-
4900.0 ~ 5850.0 MHz	dB	30	37	-
VSWR				
1574.42 ~ 1576.42 MHz	-	-	1.2	2
1559.05 ~ 1563.15 MHz	-	-	1.5	2
1573.37 ~ 1577.47 MHz	-	-	1.2	2
1597.78 ~ 1605.66 MHz	-	-	1.5	2

Notes : (1) No Matching Network

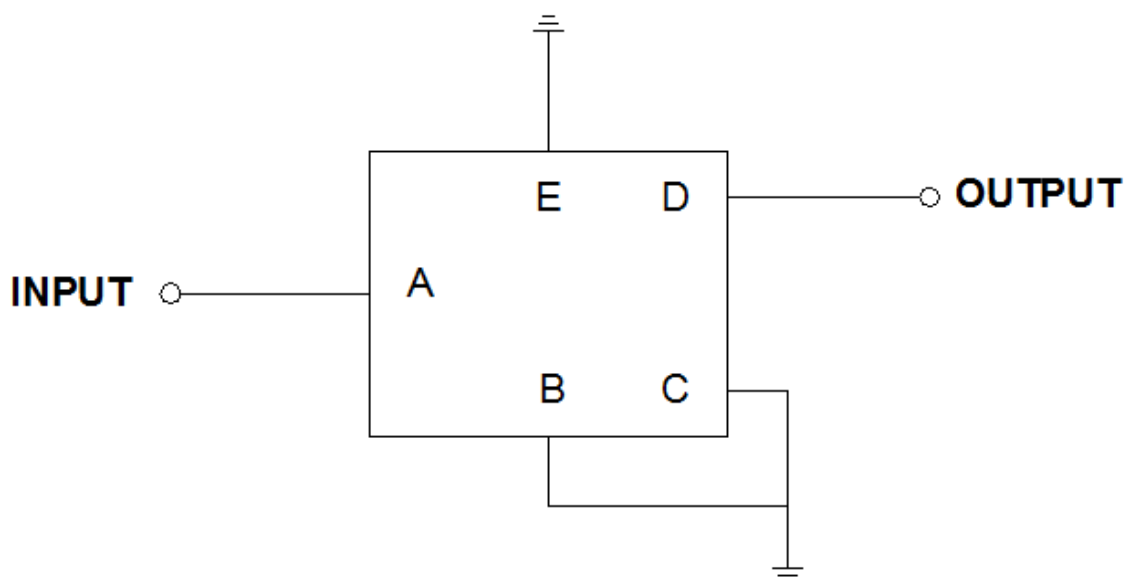
Package Dimensions



Marking Descriptions	
\bar{g}	Series Number
X	Date Code(Year+Month)

Pin Description	
B, C, E	Ground
A	Input
D	Output

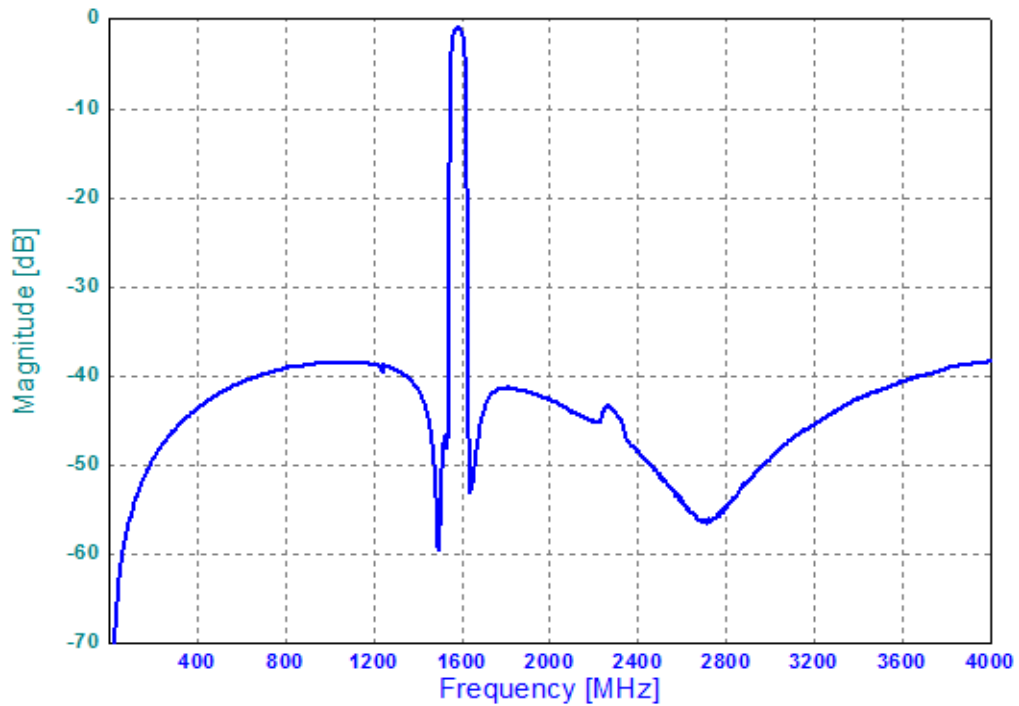
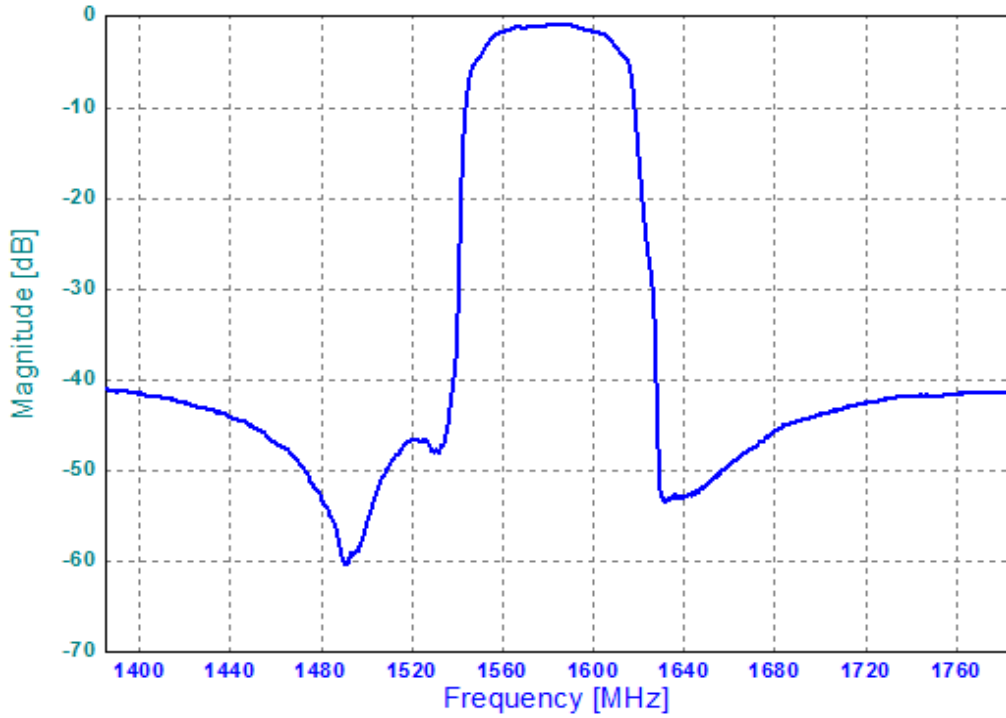
Testing Environment



Source & Load Impedance: 50 Ω

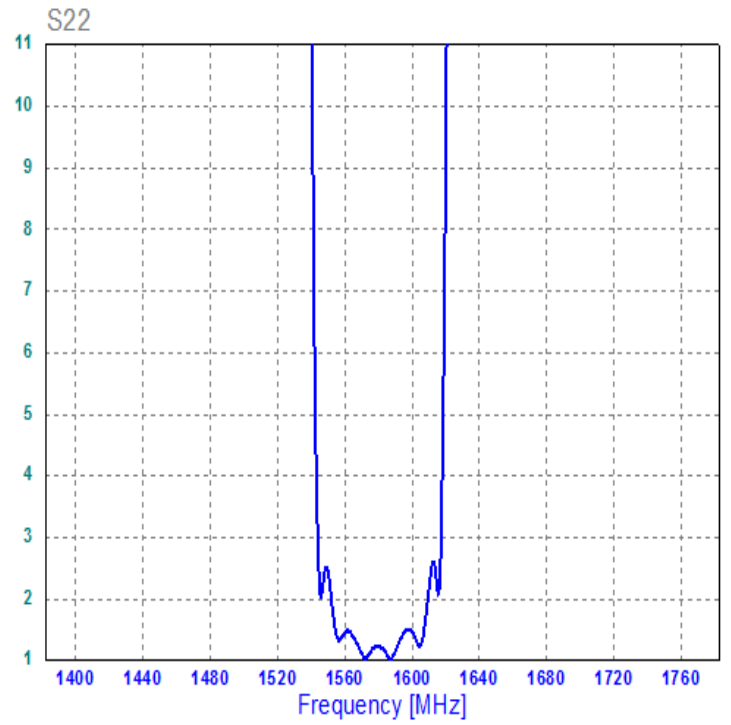
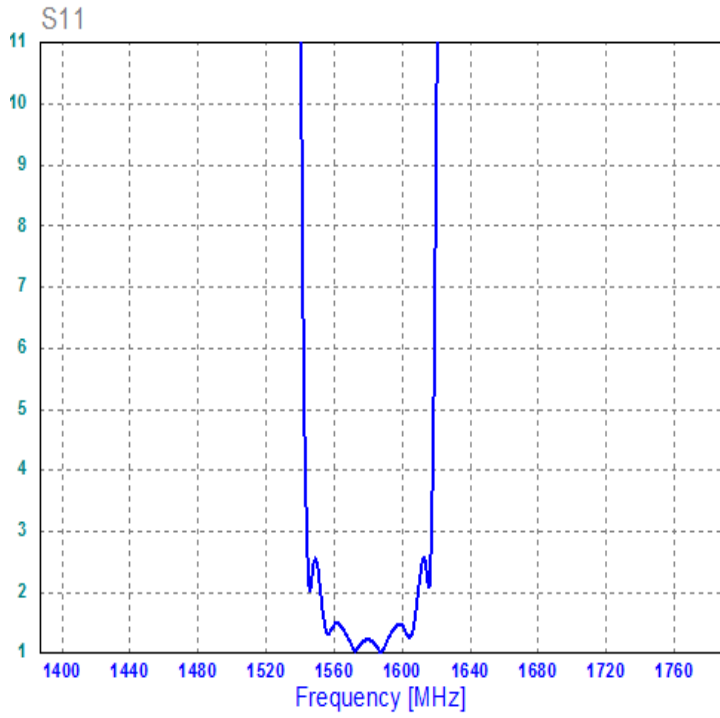
□ Frequency Characteristics

Frequency Response





VSWR



Smith Chart

